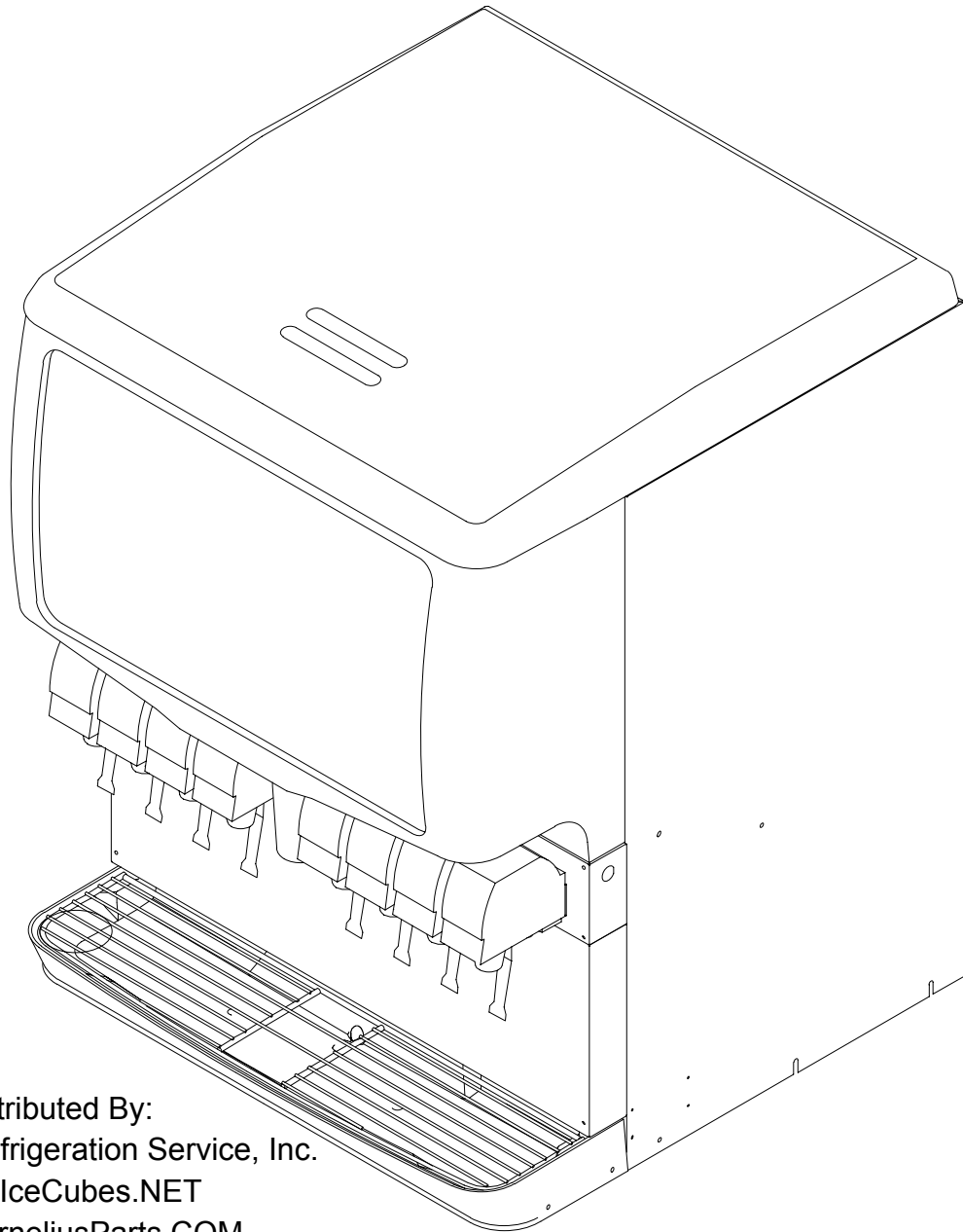




REMCOR[®]

ED Series Training Manual



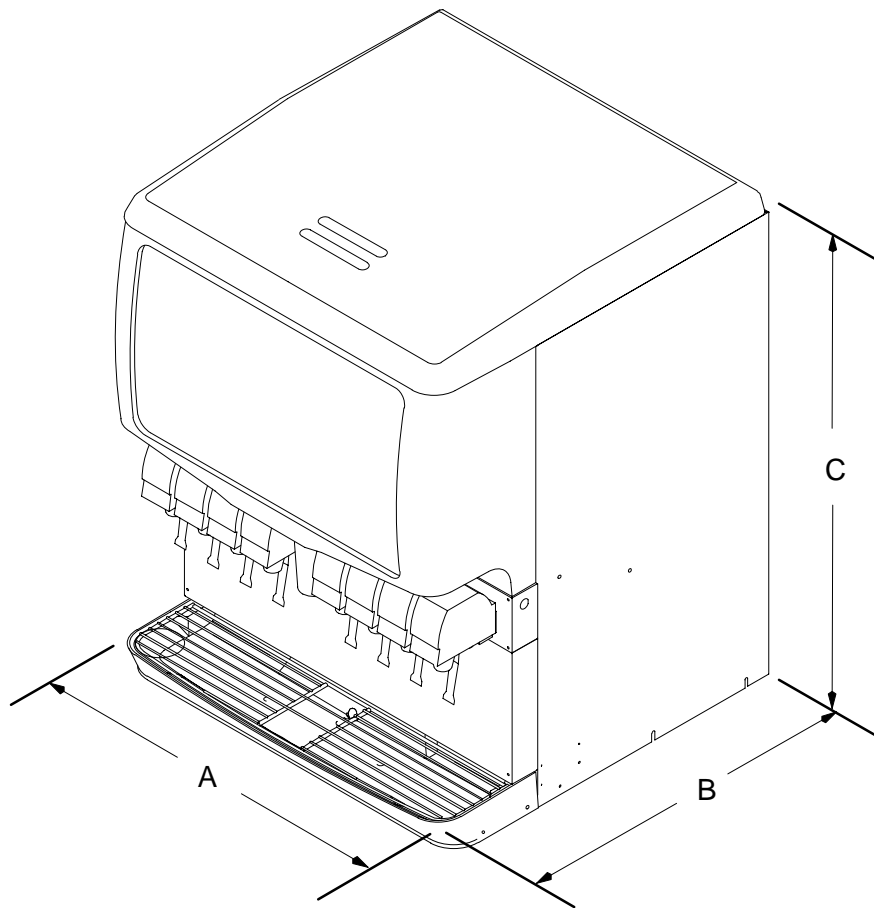
Distributed By:
Commercial Refrigeration Service, Inc.
WWW.IceCubes.NET
WWW.CorneliusParts.COM
(866) 423-6253
(623) 869-8881

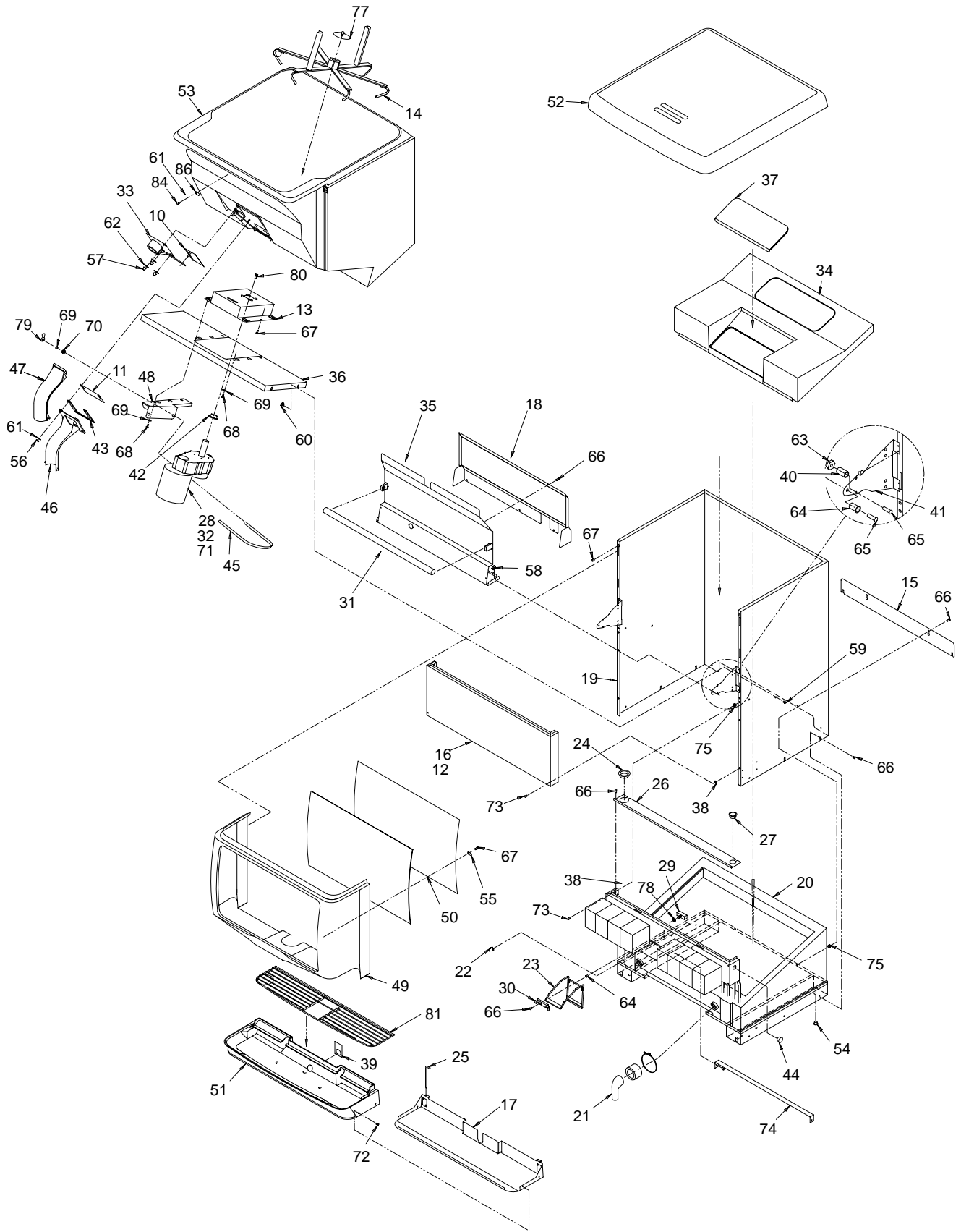
TD 218

IMI CORNELIUS INC
One Cornelius Place
Anoka, MN 55303-6234
Telephone (800) 238-3600
Facsimile (612) 422-3246

ED200 & ED250

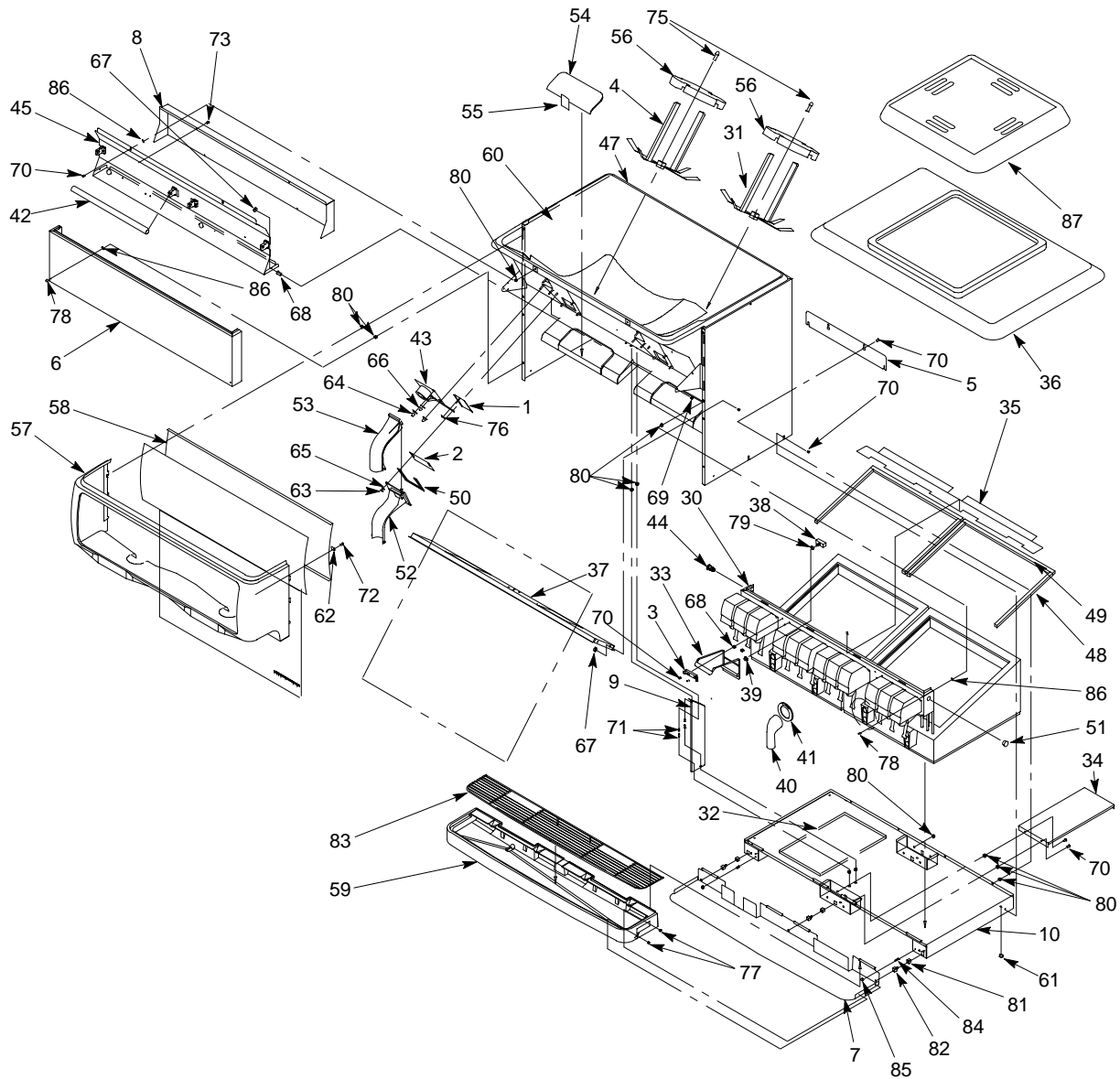
	MODELS		
	ED200	ED250	ED300
Ice Storage	200 lbs.	250 lbs.	300 lbs.
Max # of Valves	10	10	12
Built-In Cold Plate	BC Model Only	BC Model Only	BC Model Only
Voltage	120	120	120
Phase	1	1	1
Hertz	60	60	60
Amp Draw	3.5	3.5	5.2
Dimension A	30"	30"	44-1/4"
Dimension B	30"	30"	30"
Dimension C	35-5/8"	39-5/8"	35-5/8"





ENDURO 200 & ENDURO 250

ENDURO 300 (ED300) (POST-MIX)



Item No.	Part No.	Name
1	21491	Slide, Gate
2	22081	Restrictor, Gate
3	27107	Bracket, Lever Depressor
4	15213	Agitator, Left
5	29483	Cover, Rear

Item No.	Part No.	Name
6	29538 29495	Panel, Lower, LEV Panel, Lower, Corco
7	29496	Extension, Drip Tray
8	29497	Cover, Electrical Box
9	29507	Bracket, Motor Support

Distributed By:
Commercial Refrigeration Service, Inc.

WWW.IceCubes.NET
WWW.CorneliusParts.COM
(866) 423-6253
(623) 869-8881

ENDURO 200 & ENDURO 250

Item No.	Part No.	Name
10	21491	Slide, Gate
11	22081	Restrictor, Gate
12	53298	Insulation, Panel
13	29541	Plate, Motor Mount
14	29694	Agitator
15	29555	Cover, Rear
16	29551	Panel, Lower Front
17	15093	Support, Drip Tray
18	29655 15013	Cover, Electrical Box – ED250 Cover, Electrical Box – ED200
19	29547 29540	Cabinet, ED250 Cabinet, ED200
20	Contact Factory	Panel/Cold Plate/Valve Ass'y
21	53011	Fitting, Cold Plate
22	31007	Boot, Switch
23	29664	Lever
24	50767	Snap Bushing
25	15211	Pin, Drip Tray
26	15464	Baffle, Beverage Panel
27	50459	Snap Bushing
28	30794	Motor Heater
29	30895	Switch
30	27107	Bracket, Lever
31	31928	Bulb, Florescent
32	33387	Motor
33	32954	Solenoid Ass'y
34	53268	Cover, Foamed Cold Plate
35	33354 33353	Electrical Box Ass'y, ED250 Electrical Box Ass'y, ED200
36	29542	Bracket, Motor Mount
37	53255	Cover, Access (Cold Plate)
38	71010	Washer
39	53020	Shield, Foam
40	50328	Spacer
41	29377	Hinge
42	53199	Seal, Motor
43	51891	Gasket, Gate
44	51908	Plug
45	71025	Strap, Motor
46	52882	Plate, Mounting, Ice Chute
47	52883	Ice Chute
48	15132	Bracket, Motor Mount
49	52912 52911 53000 53001	Merchandiser, ED250 Black Merchandiser, ED200 Black Merchandiser, ED250 Gray Merchandiser, ED200 Gray

Item No.	Part No.	Name
50	52950 52949	Panel, Inner – ED250 Panel, Inner – ED200
51	53210 53211	Drip Tray – Black Drip Tray – Gray
52	52909 53108	Lid, Dispenser – Black Lid, Dispenser – Gray
53	52960 52916	Hopper Ass'y – ED250 Hopper Ass'y – ED200
54	52967	Plug, Foot
55	52972	Tab, Retaining
56	70016	Hex Nut, No. 10-32
57	70017	Insert, No. 10-32
58	70100	Locknut, No. 8-32
59	70242	Screw, No. 10-32 By 3/8-In. Long
60	70015	Hex Nut, No. 10-32
61	70056	Washer, No. 10
62	70067	Washer, 7/32 x 7/8 x 3/64 Plated
63	70076	Hex Nut, No. 8-32
64	70104	Nutsert, No. 8-32
65	70164	Screw, No. 8-32 By 3/4-In. Long
66	70171	Screw, No. 8-32 By 3/8-In. Long
67	70204	Screw, No. 8 By 1/2-In. Long
68	71033	Screw, 3/8-16 By 3/4-In. Long
69	70068	Washer, 3/8
70	71061	Washer, 7/16
71	70341	Spring, Gate
72	70478	Clip, Push-on
73	70555	Screw, No. 8-32 By 2 5/8-In. Long
74	15302	Support, Line
75	70959	Nutsert, No. 8-32
76	71011 70970	Leg – Metal (Not Shown) Leg – Metal/Plastic (Not Shown)
77	15087	Retainer, Agitator
78	70847	Spacer, Switch
79	71059	Wing Nut, 3/8-16
80	71028	Shoulder Screw, 1/4-20
81	71039	Grill
82	51288	Adapter, 1-In. Barb By 3/4 MPT (Not Shown)
83	50952	Adapter, 3/4 Soc By 3/4 FPT (Not Shown)
84	71089	Shoulder Screw
85	70750	Clamp (Not Shown)
86	53299	Tab, Retaining

Distributed By:
Commercial Refrigeration Service, Inc.
WWW.IceCubes.NET
WWW.CorneliusParts.COM
(866) 423-6253
(623) 869-8881

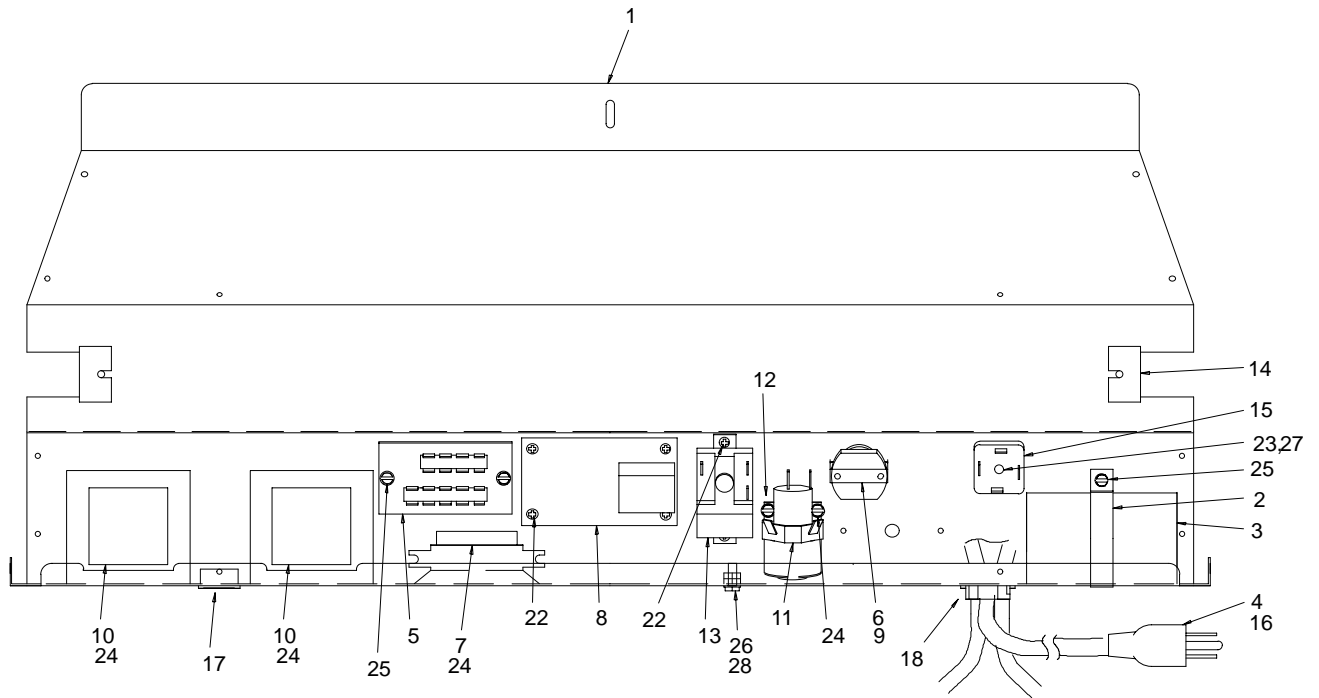


FIGURE 1. ELECTRICAL BOX ASSEMBLY

Item No.	Part No.	Name
	33353	Electrical Box/Reflector Ass'y ED200
	33354	Electrical Box/Reflector Ass'y ED200
1	29665	Box, Electrical ED250
	29656	Box, Electrical ED200
2	29657	Clamp, Capacitor
3	33160	Capacitor
4	30995	Power Cord
5	30960	Terminal Board
6	31620	Starter
7	31621	Ballast
8	31763	Timer
9	32042	Socket, Starter
10	32682	Transformer, 120/24V
11	31375	Relay, Mercury
12	15479	Bracket, Relay
13	33162	Relay, Start

Item No.	Part No.	Name
14	32746	Lampholder
15	32958	Rectifier
16	50458	Relief Strain
17	50475	Bushing
18	50459	Bushing
19	33302	Wire Harness, Solenoid (Not Shown)
20	33626	Wire Harness, Dispense Switch (Not Shown)
21	33388	Wire Harness, Motor (Not Shown)
22	70147	Screw, No. 6-32 By 1/2-In. Long
23	70153	Screw, No. 6-32 By 3/4-In. Long
24	70215	Screw, No. 8-32 By 1/4-In. Long
25	70217	Screw, No. 8-32 By 1/2-In. Long
26	70120	Screw, No. 10-32 By 1/2-In. Long
27	70075	Hex Nut, No. 6-32
28	70015	Hex Nut, No. 10-32

ENDURO 300 (ED300) (POST-MIX)

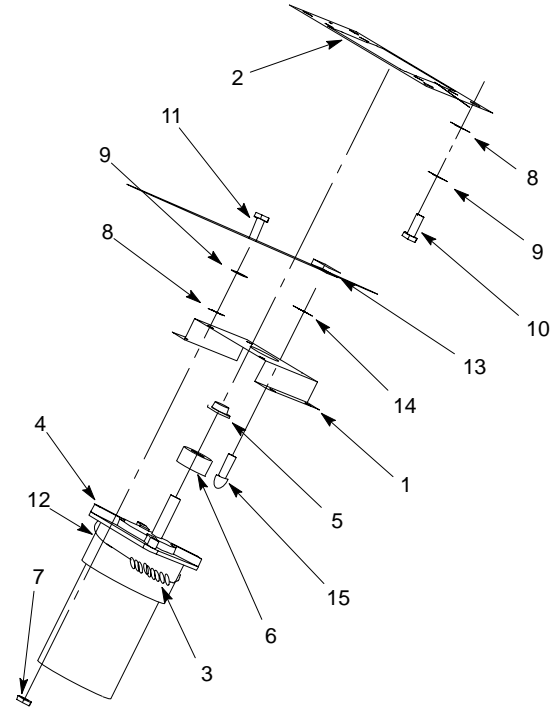
Item No.	Part No.	Name
29	29509	Base Ass'y
30		Dispensing Valve Panel Ass'y
31	15214	Agitator, Right
32	29562	Spacer, Drain
33	29664	Lever, Ice Chute
34	29667	Support, Product Lines
35	29668	Baffle, Product Lines
36	53136	Cover
37	29493	Bracket, Motor Mount
38	30895	Switch
39	31007	Boot, Switch
40	53011	Elbow
41	53186	Clamp
42	31622	Bulb, Florescent
43	32954	Solenoid Ass'y
44	32977	Switch, Power
45	33352	Electrical Box Ass'y
46	50328	Spacer
47	50097	Gasket, Hopper
48	52814	Insulation, Cold Plate, Side
49	52815	Insulation, Cold Plate, Back
50	51891	Gasket, Gate
51	51908	Plug
52	52882	Plate, Mounting, Ice Chute
53	52883	Shell, Ice Chute
54	52884	Cover, Cold Plate
55	71024	"S"-Clip
56	53185	Disk, Agitator
57	52937 52952	Merchandiser, Black Merchandiser, Gray
58	52943	Lens, Inner
59	52932 52938	Drip Tray, Black Drip Tray, Gray

Item No.	Part No.	Name
60	52957	Hopper Ass'y
61	52967	Plug
62	52972	Tab, Retaining
63	70016	Hex Nut, No. 10-32
64	70017	Insert, Nylon, No. 10-32
65	70056	Washer, Flat, No. 10
66	70067	Washer
67	70076	Hex Nut, No. 8-32
68	70104	Nutsert, No. 8-32
69	70164	Screw, Phil Truss Hd., No. 8-32 By 3/4-In. Long
70	70171	Screw, Phil Truss Hd., No. 8-32 By 3/8-In. Long
71	70178	Screw, Phil Truss Hd., No. 8-32 By 1/2-In. Long
72	70204	Screw, Phil Truss Hd., No. 8-32
73	70215	Screw, Hex Washer Hd., No. 8-32 By 1/4-In. Long
74	70217	Screw, Hex Washer Hd., No. 8-32 By 1/2-In. Long
75	41459	O-ring
76	70474	Retaining Ring
77	70478	Clip, Pushon
78	70555	Screw, Phil Truss Hd., No. 8-32 By 3-In. Long
79	70847	Washer, Switch
80	70959	Nutsert, No. 8-32
81	70997	Strike
82	70998	Latch
83	70999	Cup Rest
84	70531	Ball Stud
85	70075	Hex Nut, No. 6-32
86	71010	Washer, No. 8
87	53135	Lid, Cover

Distributed By:
 Commercial Refrigeration Service, Inc.
WWW.IceCubes.NET
WWW.CorneliusParts.COM
 (866) 423-6253
 (623) 869-8881

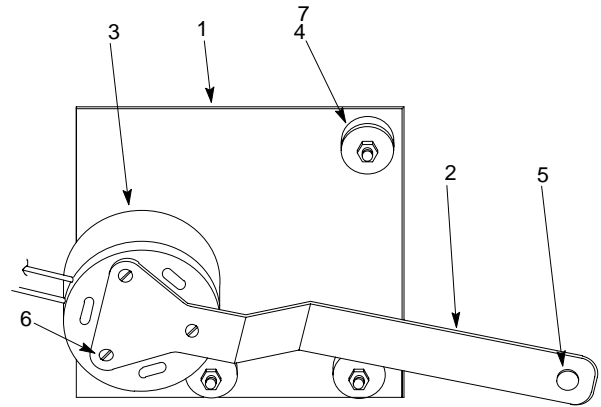
ENDURO 300 (ED300) (POST-MIX)

Item No.	Part No.	Name
1	29303	Plate, Motor Mount
2	29654	Plate, Adjustable, Motor
3	30794	Heater, Motor
4	32498	Motor
5	51859	Seal, Motor Shaft
6	51860	Gasket, Motor
7	70018	Hex Nut, 1/4-20
8	70043	Washer, Flat, 1/4
9	70048	Washer, Lock, 1/4
10	70257	Screw, Phil Truss Hd, 1/4-20 By 1/2-In. Long
11	70260	Screw, Phil Rd. Hd., 1/4-20 By 1-In. Long
12	70341	Spring, Gate
13	70992	Receptacle, 1/4-turn
14	70993	Retainer, 1/4-turn
15	70994	Stud, 1/4-turn



MOTOR COMPONENTS

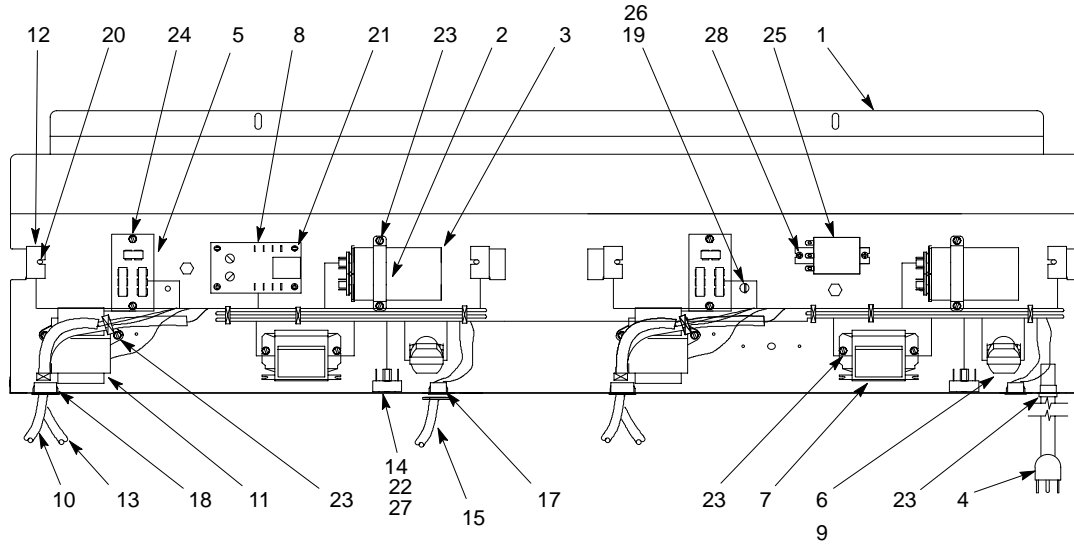
Item No.	Part No.	Name
	32954	Gate Solenoid Ass'y
1	28172	Plate, Solenoid Mounting
2	29173	Arm, Gate Lift
3	32957	Solenoid
4	50752	Isolator
5	50754	Bearing, Gate Arm
6	70162	Screw, No. 8-32 By 1/4-In. Long
7	70015	Hex Nut, No. 10-32



GATE SOLENOID ASSEMBLY

Distributed By:
 Commercial Refrigeration Service, Inc.
 WWW.IceCubes.NET
 WWW.CorneliusParts.COM
 (866) 423-6253
 (623) 869-8881

ENDURO 300 (ED300) (POST-MIX)



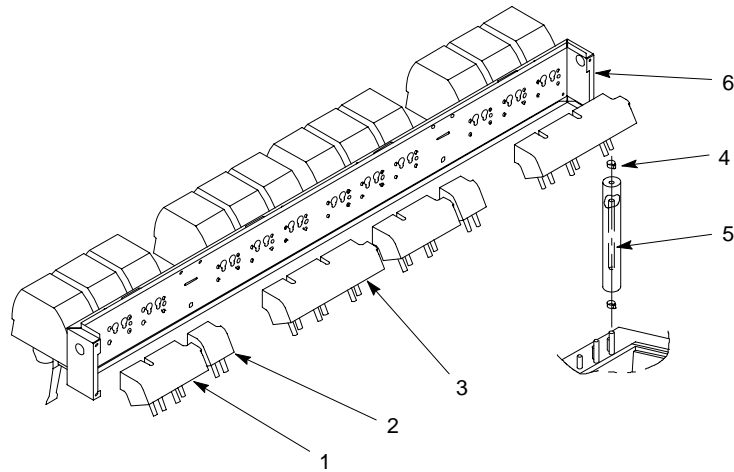
ELECTRICAL BOX ASSEMBLY

Item No.	Part No.	Name
	33352	Electrical Box and Reflector Ass'y
1	29494	Box, Electrical
2	30514	Clamp, Capacitor
3	30774	Capacitor
4	30995	Power Cord
5	31107	Terminal Block
6	31620	Starter
7	31621	Ballast
8	31763	Timer, Repeat Cycle
9	32042	Socket, Starter
10	32579	Harness, Motor
11	32682	Transformer, 120/24V
12	32746	Holder, Lamp
13	32782	Harness, Dispenser Switch
14	32958	Rectifier
15	33302	Harness, Solenoid

Item No.	Part No.	Name
16	50458	Strain Relief
17	50459	Bushing, Harness
18	50475	Bushing, Jumper
19	70015	Hex Nut, No. 10-32
20	70131	Screw, Sl Rd Hd, No. 4-40 By 3/8-In. Long
21	70147	Screw, Phil Rd Hd, No. 6-32 By 1/2-In. Long
22	70153	Screw, Phil Rd Hd, No. 8-32 By 3/4-In. Long
23	70215	Screw, Sl Washer Hd, No. 8-32 By 1/4-In. Long
24	70217	Screw, Sl Washer Hd, No. 8-32 By 1/2-In. Long
25	31206	Relay
26	70120	Screw, No. 10-32 By 1/2-In. Long
27	70075	Hex Nut, No. 6-32
28	70152	Screw, No. 6-32 By 3/8-In. Long

Distributed By:
 Commercial Refrigeration Service, Inc.
 WWW.IceCubes.NET
 WWW.CorneliusParts.COM
 (866) 423-6253
 (623) 869-8881

ENDURO 300 (ED300) (POST-MIX)



VALVE PANEL ASSEMBLY

Item No.	Part No.	Name
	29647	Valve Panel Ass'y, 8 Corco
	29648	Valve Panel Ass'y, 8 LEV
	29645	Valve Panel Ass'y, 10 Corco
	29646	Valve Panel Ass'y, 10LEV
	29510	Valve Panel Ass'y, 12 Corco
	29539	Valve Panel Ass'y, 12LEV
1	29316	Manifold Ass'y, 2-Flavor
2	29317	Manifold Ass'y, 1-Flavor
3	29315	Manifold Ass'y, 3-Flavor

Item No.	Part No.	Name
4	40502	Clamp
5	52792	Tube, LEV
	50299	Tube, Corco
6	29641	Panel, Dispensing Valve, 8 Corco
	29642	Panel, Dispensing Valve, 8 LEV
	29643	Panel, Dispensing Valve, 10 Corco
	29644	Panel, Dispensing Valve, 10 LEV
	29490	Panel, Dispensing Valve, 12 Corco
	29532	Panel, Dispensing Valve, 12 LEV

Distributed By:
 Commercial Refrigeration Service, Inc.
 WWW.IceCubes.NET
 WWW.CorneliusParts.COM
 (866) 423-6253
 (623) 869-8881

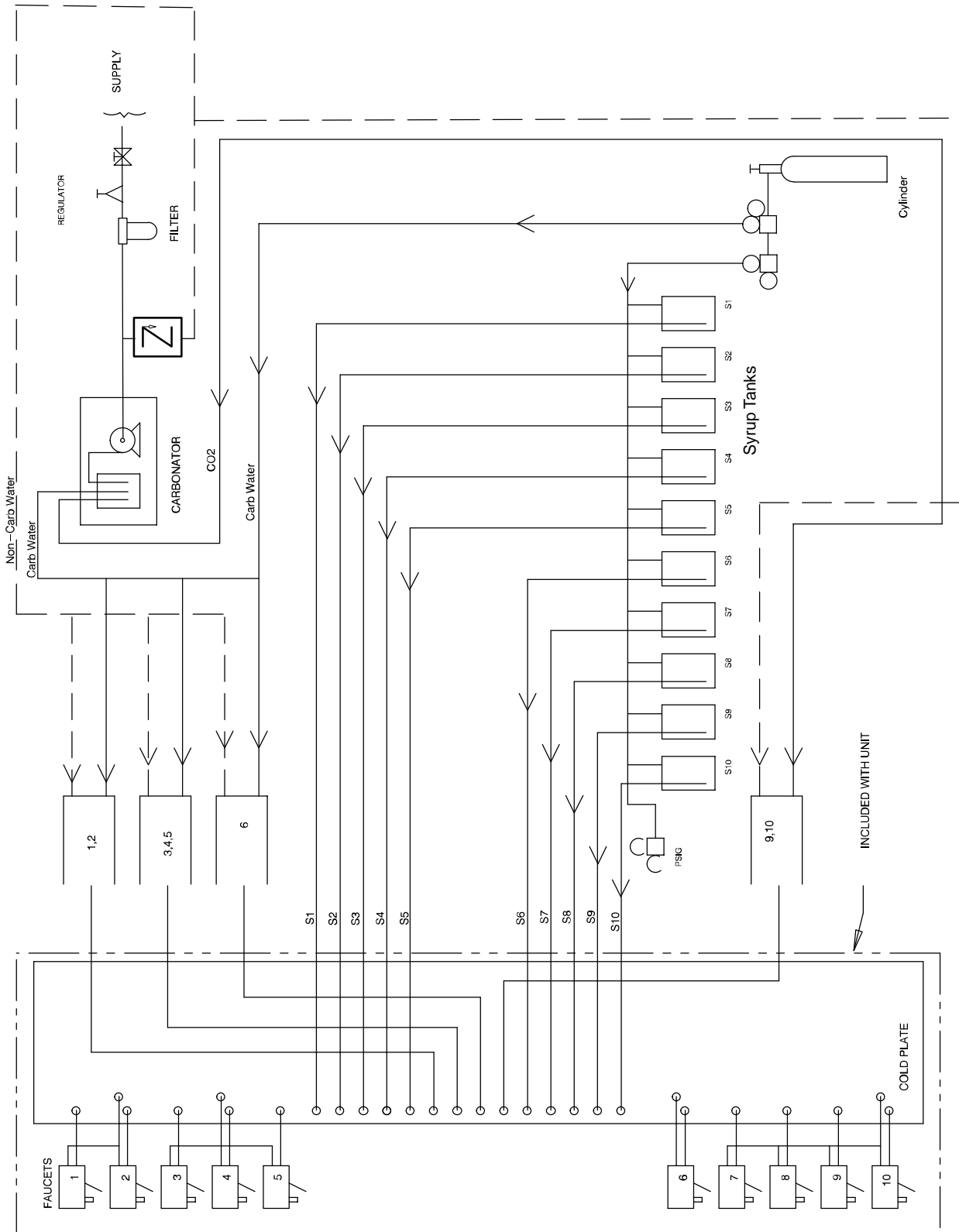


FIGURE 2. FLOW DIAGRAM (UNIT WITH TEN DISPENSING VALVES)

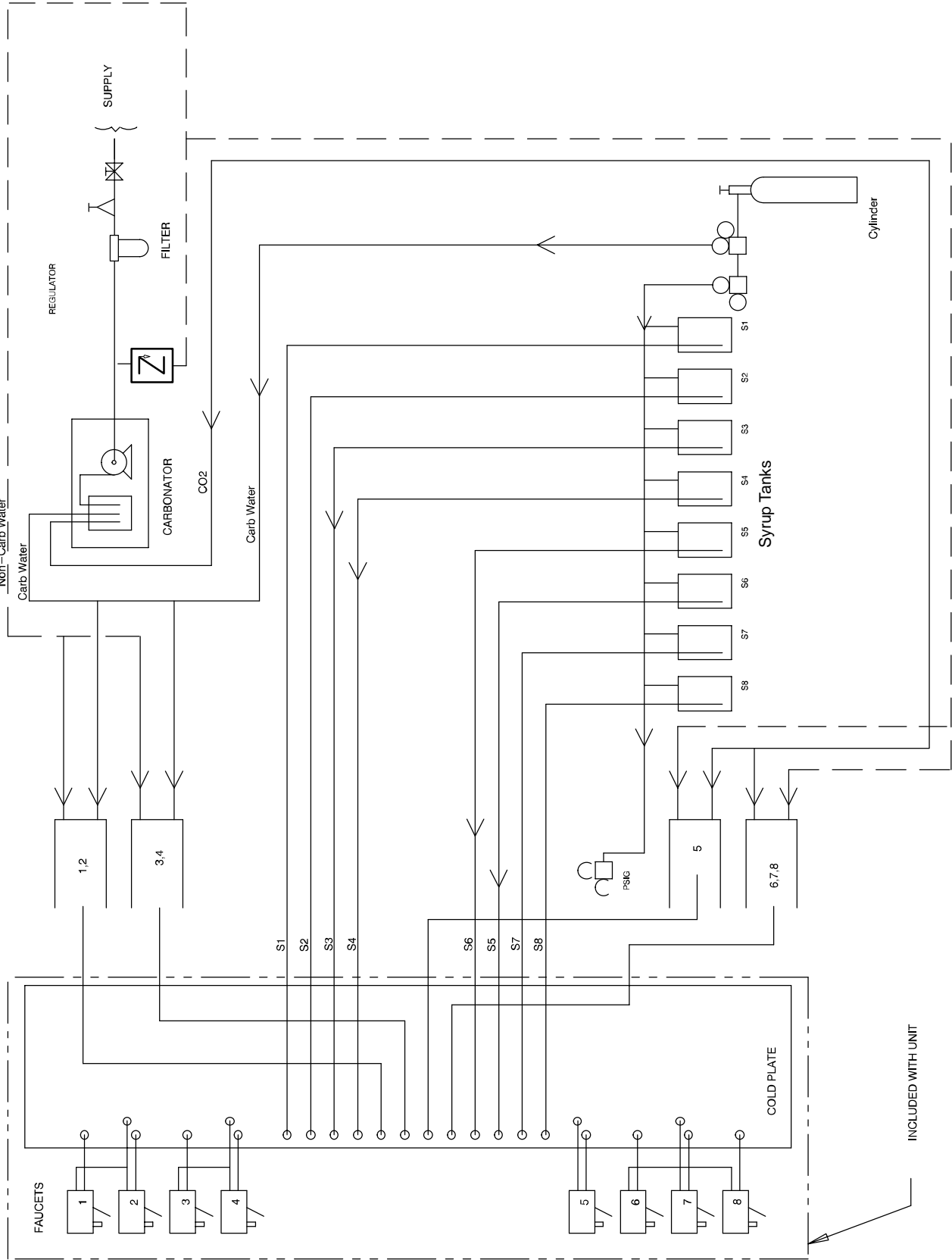
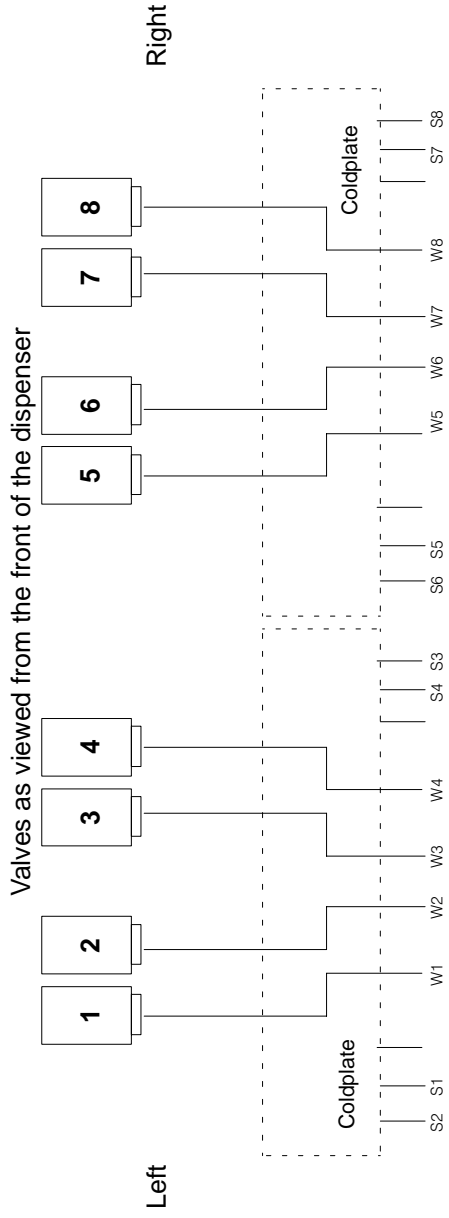


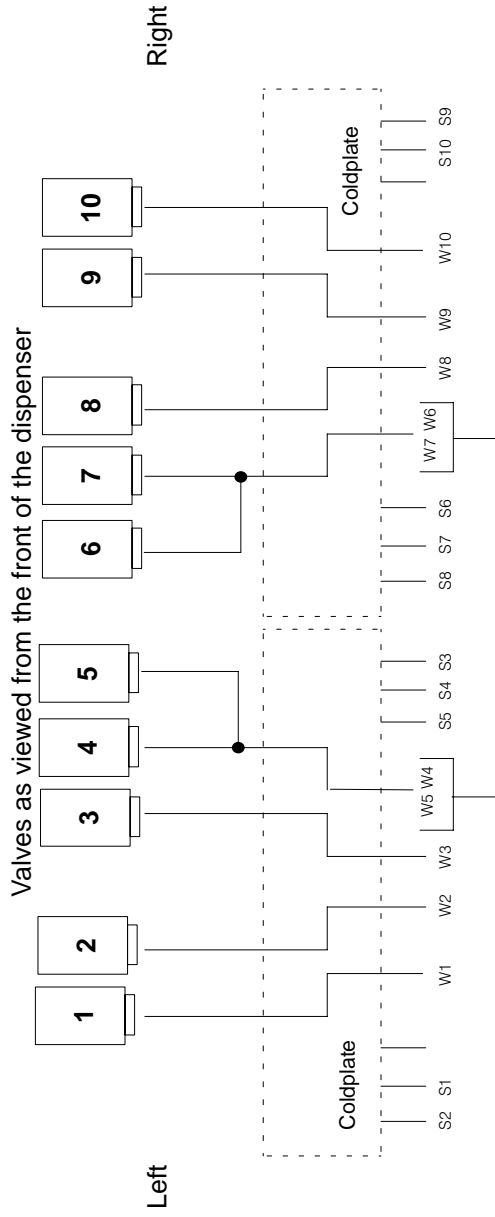
FIGURE 3. FLOW DIAGRAM (UNIT WITH EIGHT DISPENSING VALVES)

ED300 Plumbing Schematic – 8 Valve



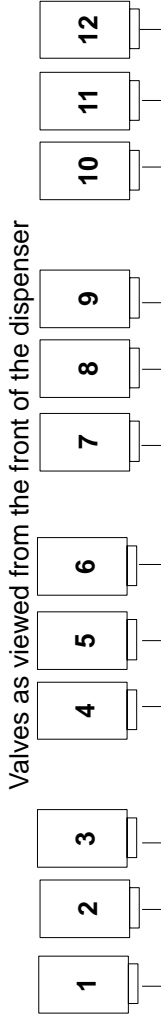
Syrup Inlets are 1/4" Barb. Water Inlets are 3/8" Barb and may be Carbonated or Non-Carbonated

ED300 Plumbing Schematic – 10 Valve



Syrup Inlets are 1/4" Barb. Water Inlets are 3/8" Barb and may be Carbonated or Non-Carbonated

ED300 Plumbing Schematic – 12 Valve



DANGER! ELECTRIC SHOCK HAZARD. DISCONNECT POWER BEFORE SERVICING UNIT.

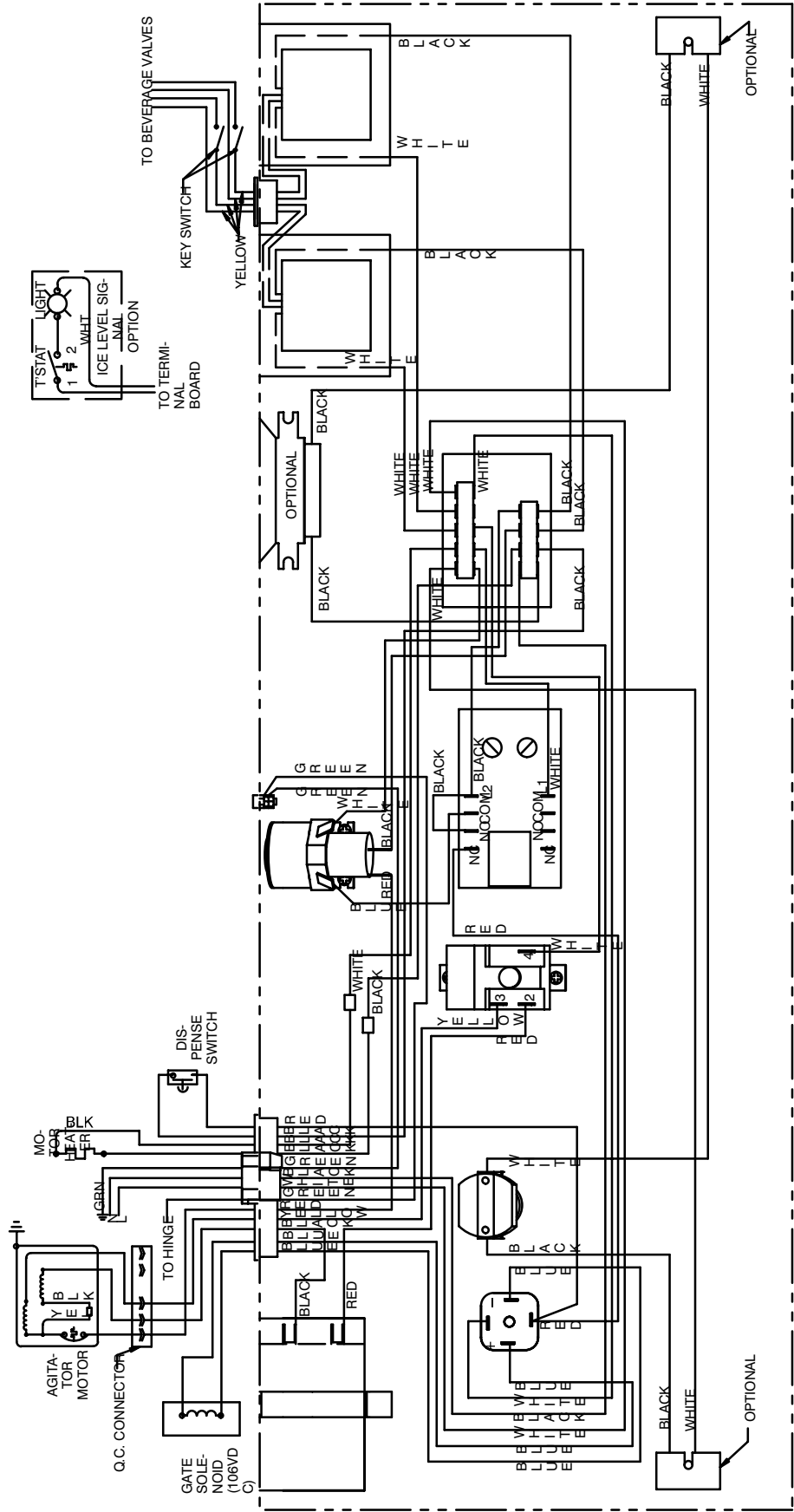
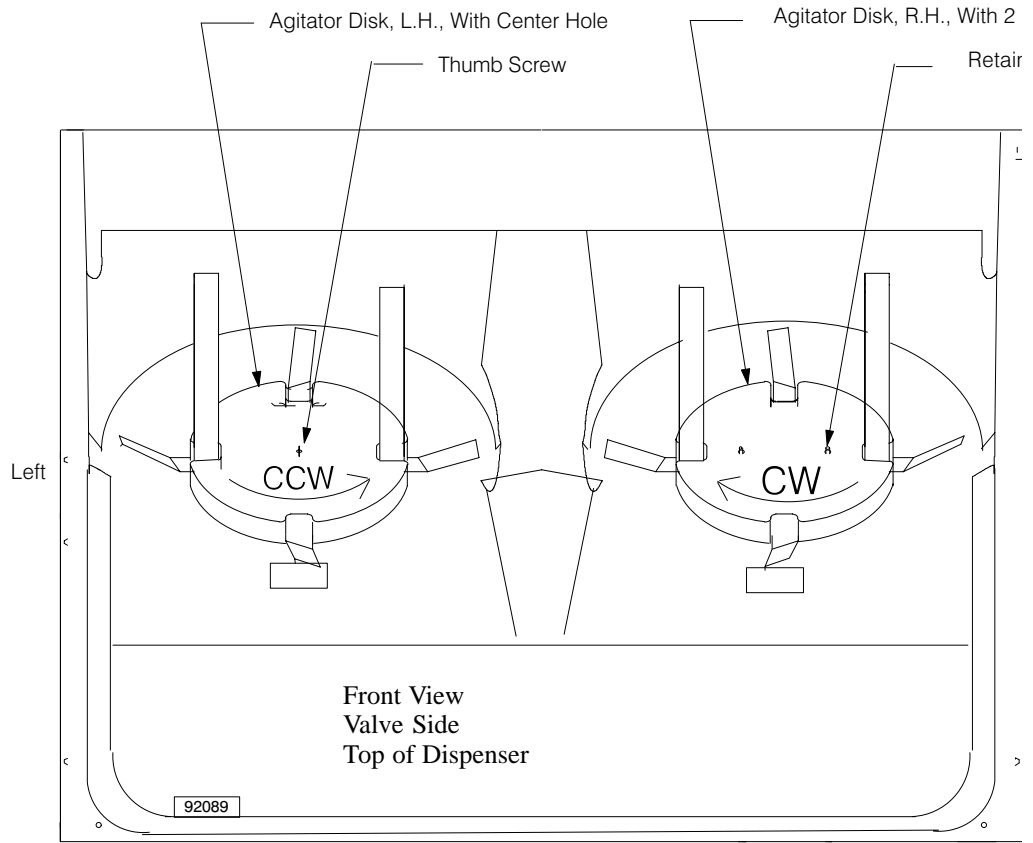


FIGURE 4. WIRING DIAGRAM

REMOVAL AND REPLACEMENT OF AGITATORS



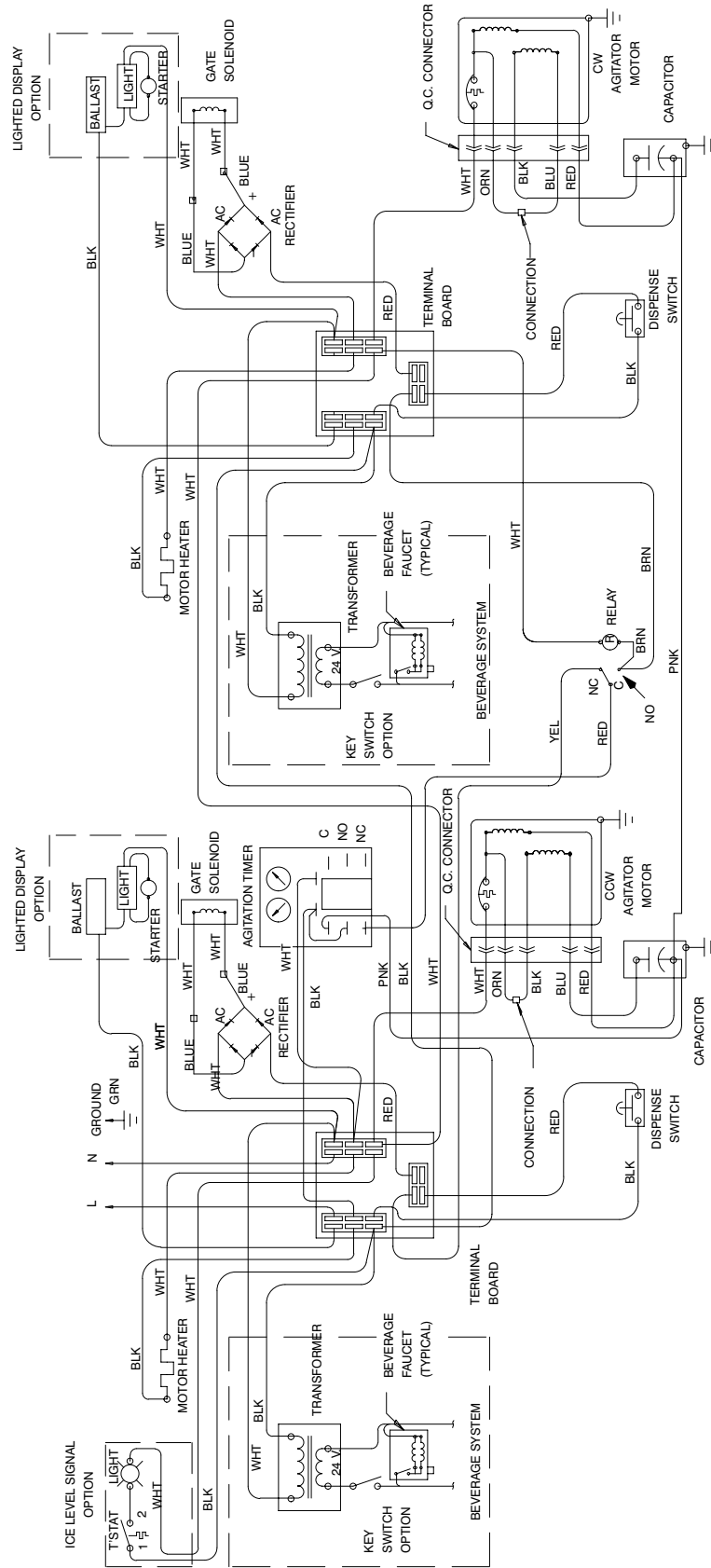
TO REMOVE LEFT, CCW AGITATOR

1. Remove center thumb screw by turning it counterclockwise.
2. Lift plastic agitator disk off of stainless steel agitator.
3. Grip agitation arms at the center and lift up.
4. Replace by reversing steps.

TO REMOVE RIGHT, CW AGITATOR

1. Remove the (2) retaining pins.
2. Lift plastic agitator disk off of stainless steel agitator.
3. Grip agitation arms at the center and lift up.
4. Replace by reversing steps.

Note: Refer to Sanitize Procedure in the Owners Instruction for complete cleaning and sanitizing instructions.



920594

